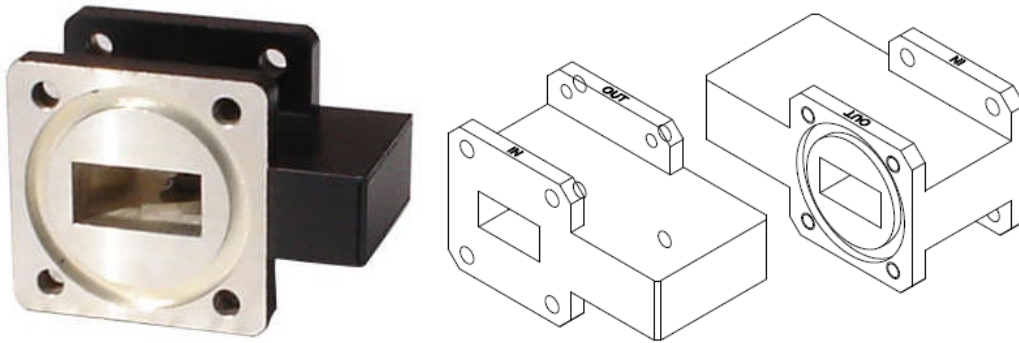


Waveguide Isolator

Dolph Microwave offers a standard product line of waveguide isolators ranging from WR70 to WR 900. For more information feel free to call us and discuss your needs with one of our sales engineers.

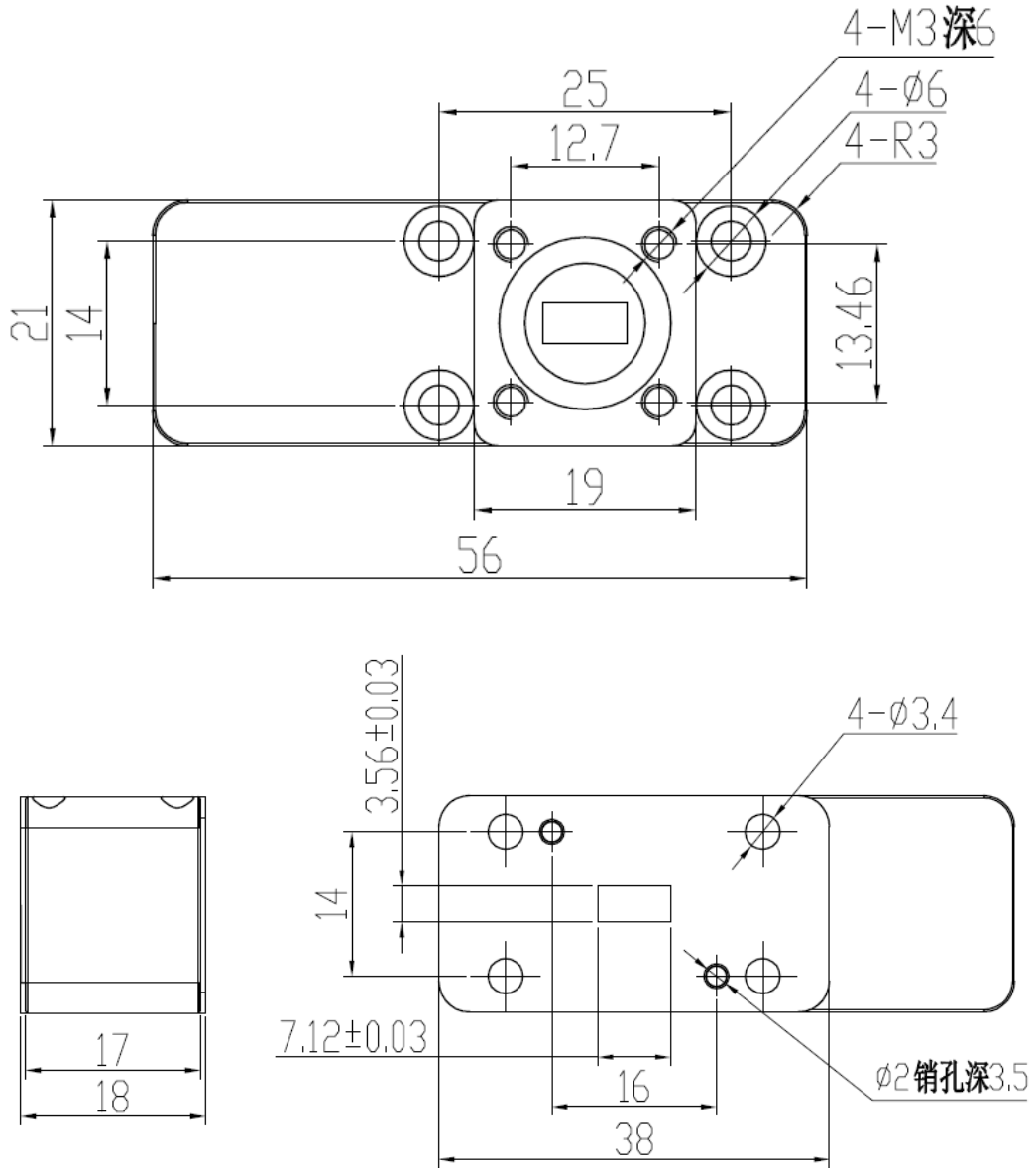


WR28 Waveguide Isolator

Model	DH-320WISO2750313PPA80
Electrical Specifications	
Frequency Range	27.5-31.3 GHz
Return Loss	23 dB
Insertion Loss	< 0.3 dB
IL Flatness	< 0.1 dB
Isolation	≥ 20 dB
Average Power	80W(Forward), 80W(Reverse)
Mechanical Specifications	
Waveguide Type	WR28/WR22/R320
Flange	FBP320/FBP320
Material	Aluminum
Inside Finish	Conductive Oxidation
Outside Finish	Anticorrosion Black Paint

Temperature	-35°C~+55°C
-------------	-------------

Outline Drawing (mm)



Test Data

